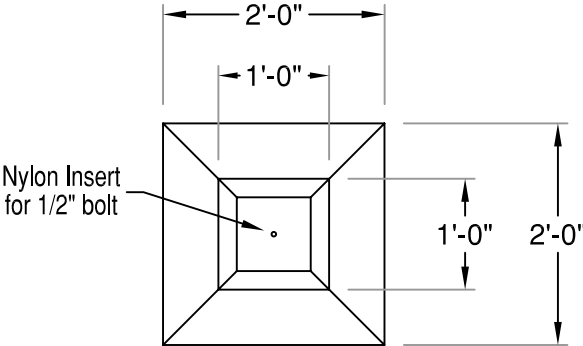
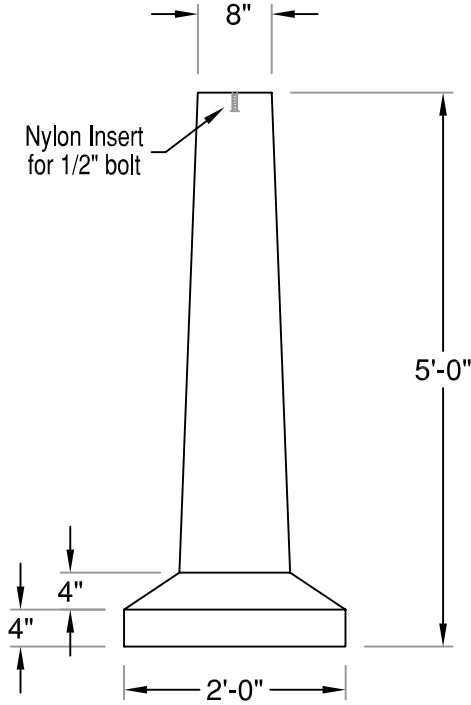


Precast Deck Post

Total Weight : 720 lbs



Plan



Front

SPECIFICATIONS:

- Concrete Minimum Strength 3500psi @ 28 days
- Steel Reinforcement Grade 60
- Weights Subject to Variation



PRECAST CONCRETE PRODUCTS
78 PRECAST ROAD MILTON, VT 05468 +802.893.2401
TOLL FREE 1.888.299.2401 FAX 802.893.1542