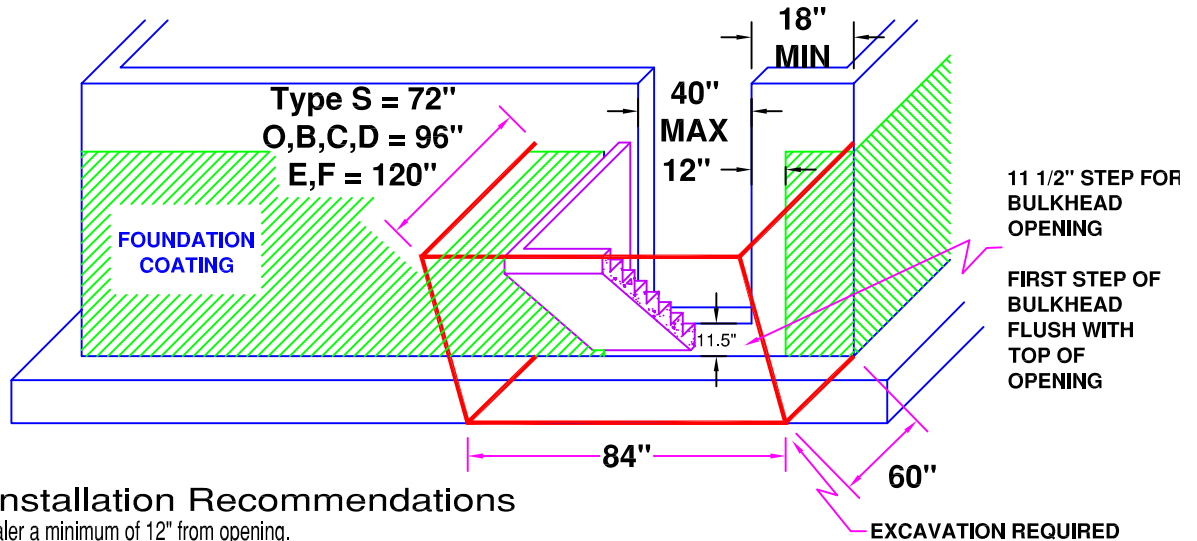
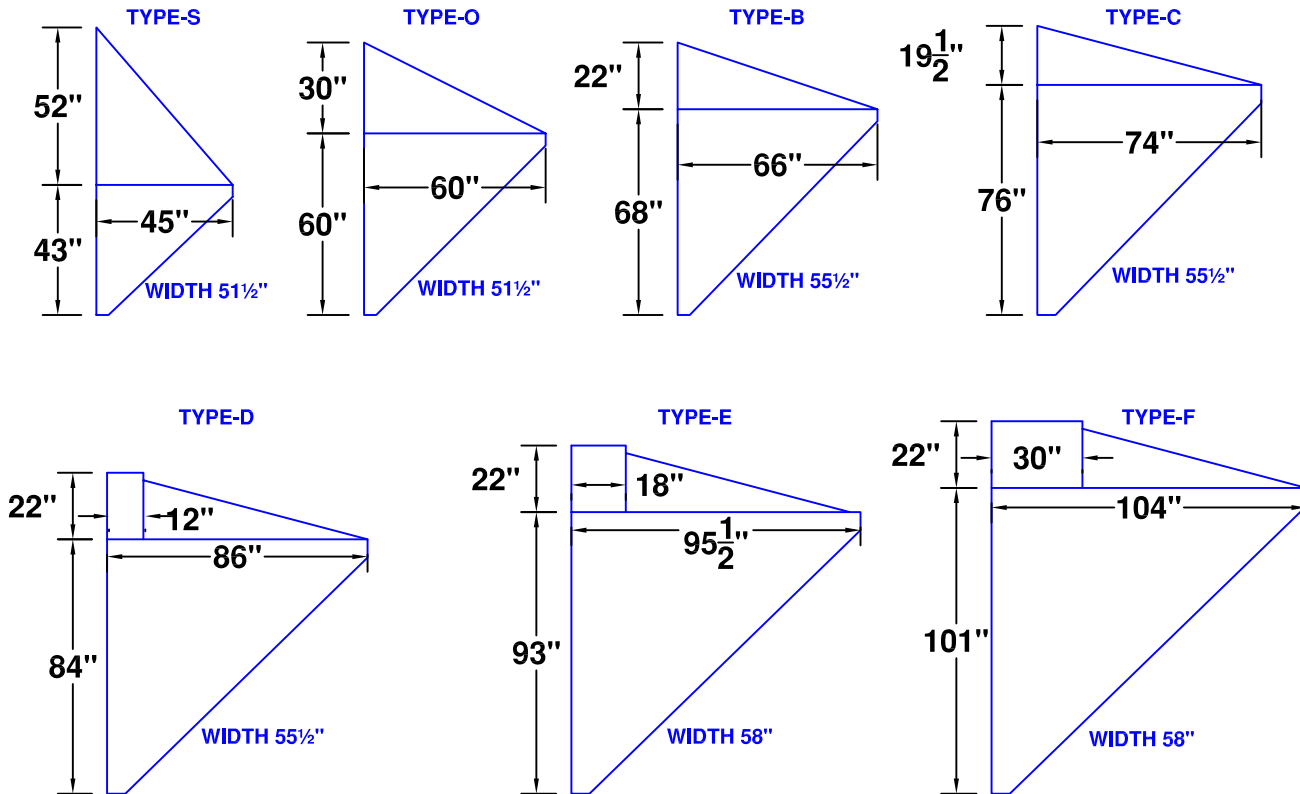


Permentry Doors



Bulkhead Installation Recommendations

1. Keep foundation sealer a minimum of 12" from opening.
2. Pour a minimum of 11 1/2" step in bulkhead opening as shown.
3. Keep a minimum of 18" from foundation corner.
4. Roof drainage should be diverted away from bulkhead.
5. Perimeter drainage of some sort.
6. Back fill must be crushed stone well compacted.

Warranty

Permentry is guaranteed against leakage for one year from date of installation if properly back filled and compacted with clean stone, foundation has an operating footing drainage system, has a poured 11-1/2" step in opening and the foundation was prepared in accordance with Camp Precast Concrete Products installation guidelines. Bilco doors are not designed to be weather tight in every situation. Camp Precast recommends the use of eaves throughout to limit splash within the area of install.

* Bilco door installation on existing homes by others



PRECAST CONCRETE PRODUCTS

78 PRECAST ROAD MILTON, VT 05468 802.893.2401
TOLL FREE 1.888.299.2401 FAX 802.893.1542