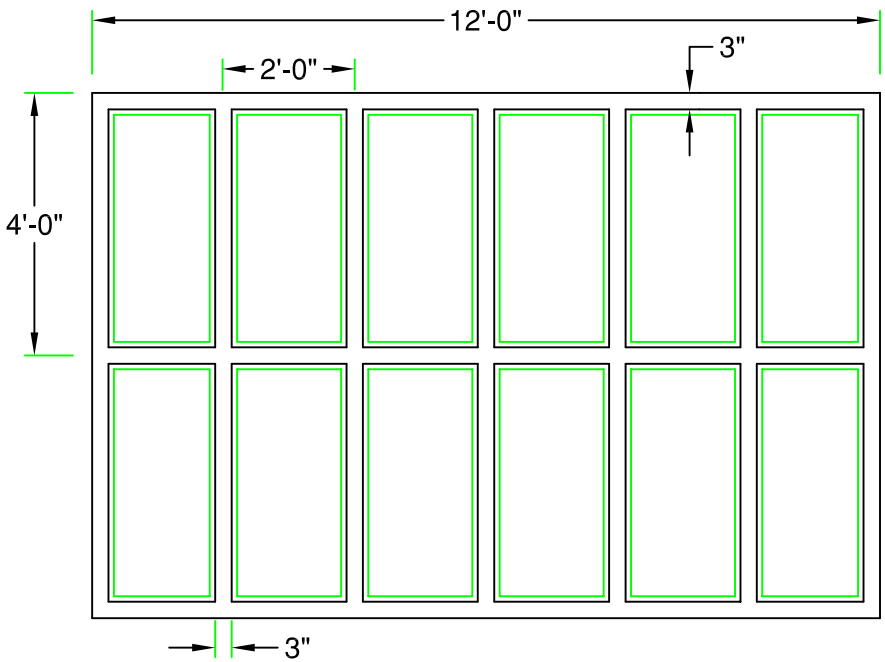
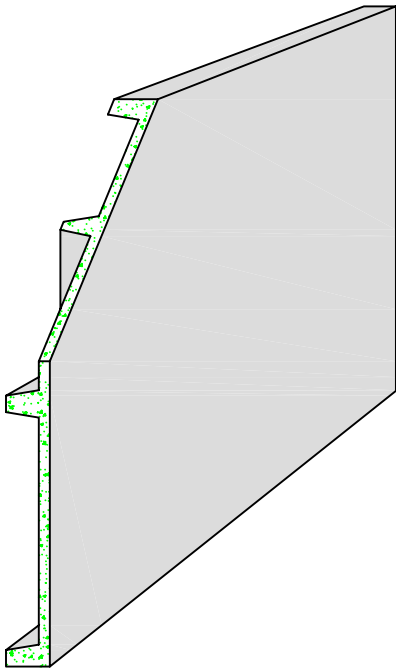
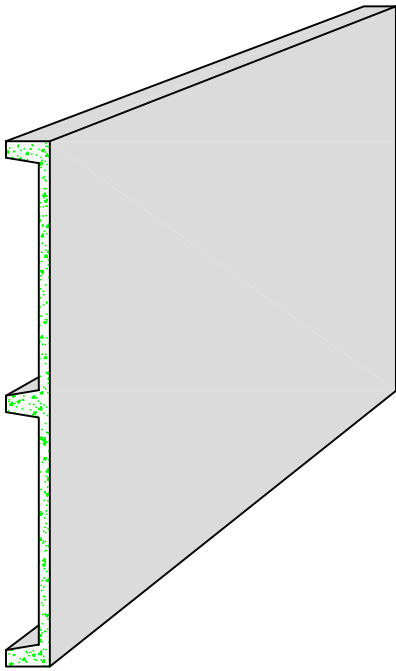
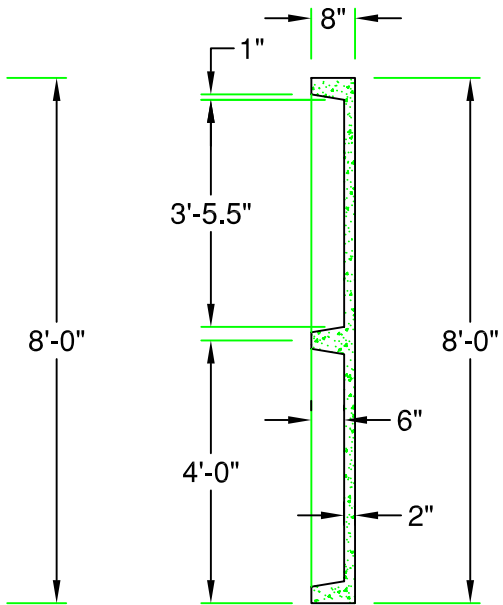


# Waffle Panel

Total Weight : 4,340 lbs



Back View



Section

**SPECIFICATIONS:**

- Concrete Minimum Strength 5000psi @ 28 days
- Steel Reinforcement Grade 60
- Monolithic Construction
- Weights Subject to Variation



**PRECAST CONCRETE PRODUCTS**  
 78 PRECAST ROAD MILTON, VT 05468 •802.893.2401  
 TOLL FREE 1.888.299.2401 FAX 802.893.1542