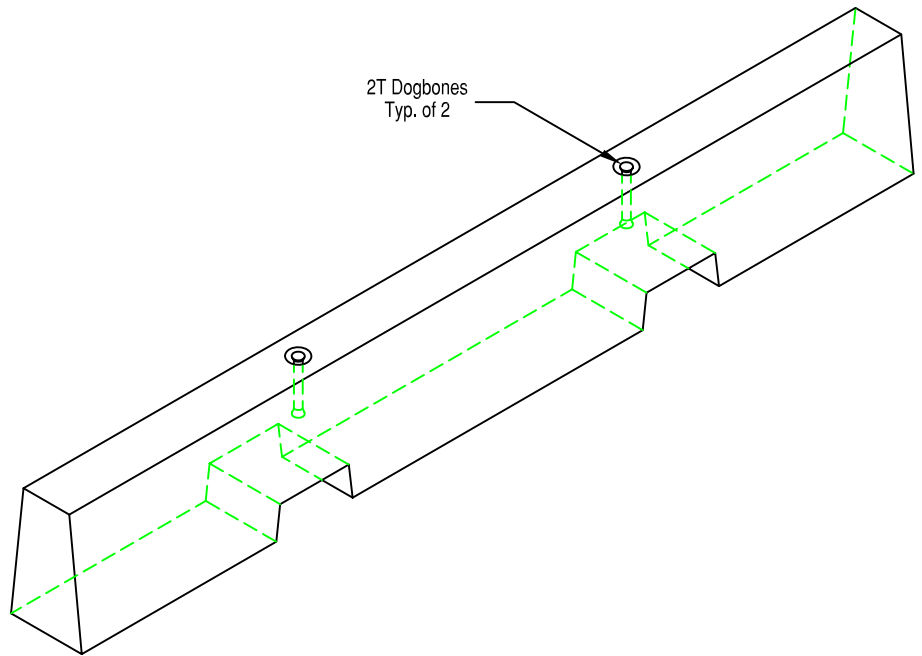
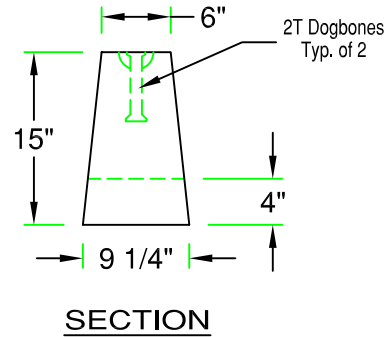
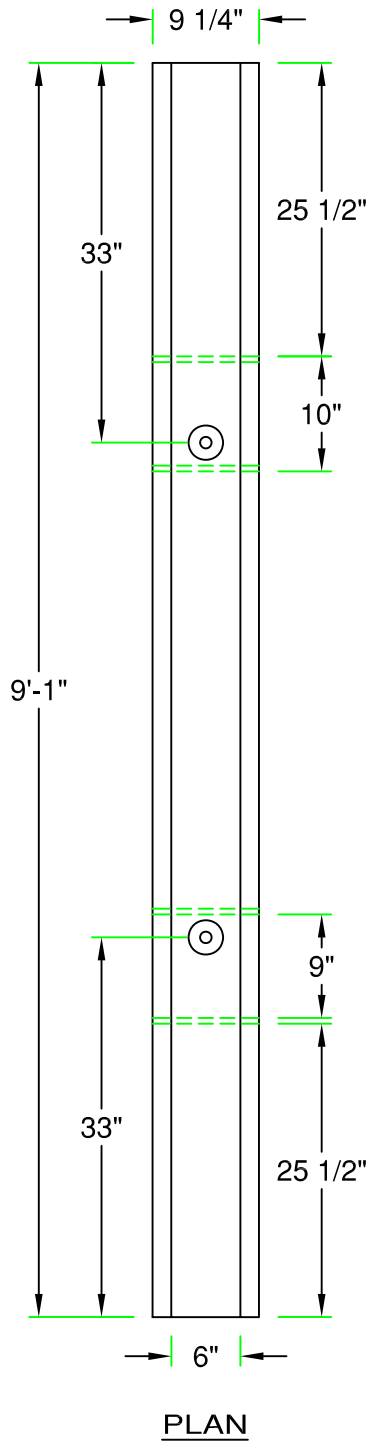


Morse Curb

Total Weight : 1,020 lbs



SPECIFICATIONS:

- Concrete Minimum Strength 5000psi @ 28 days
- Steel Reinforcement Grade 60
- Weights Subject to Variation



PRECAST CONCRETE PRODUCTS
 78 PRECAST ROAD MILTON, VT 05468 +802.893.2401
 TOLL FREE 1.888.299.2401 FAX 802.893.1542