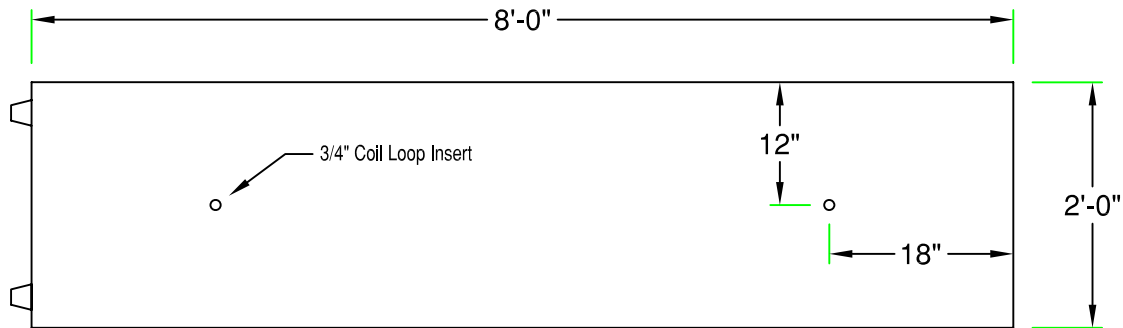
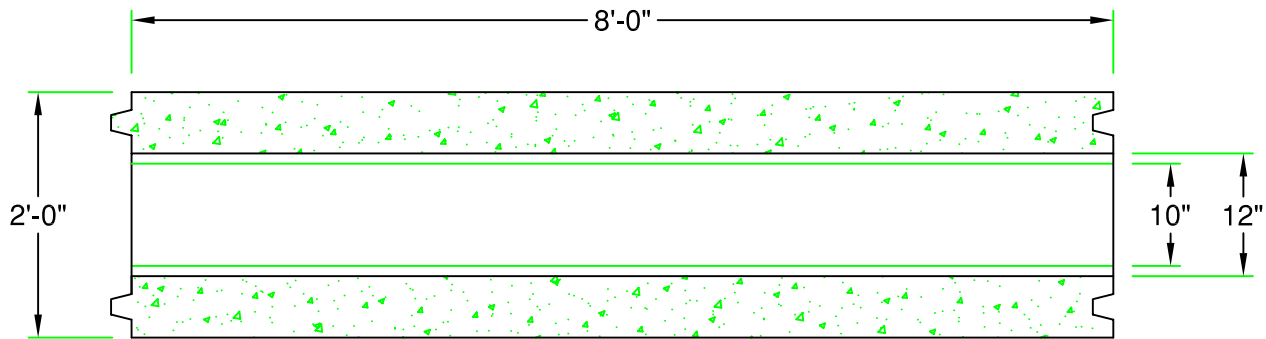


# 2' x 2' x 8' Utility Trench

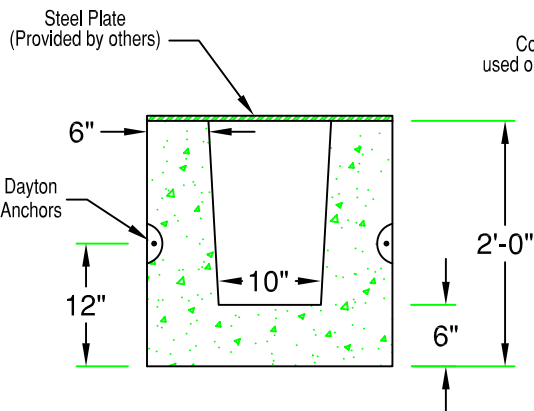
Trench Weight : 3,760 lbs  
Cover Weight : 1,190 lbs



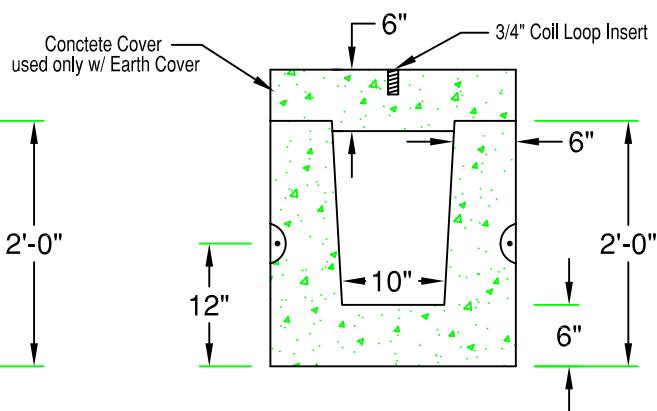
Plan of Trench w/ Conc. Cover



Plan of Trench Box



Section w/ Steel Plate



Section w/ Cover

**SPECIFICATIONS:**

- Concrete Minimum Strength 5000psi @ 28 days
- Steel Reinforcement grade 60
- Weights Subject to Variation



**PRECAST CONCRETE PRODUCTS**  
78 PRECAST ROAD MILTON, VT 05468 +802.893.2401  
TOLL FREE 1.888.299.2401 FAX 802.893.1542