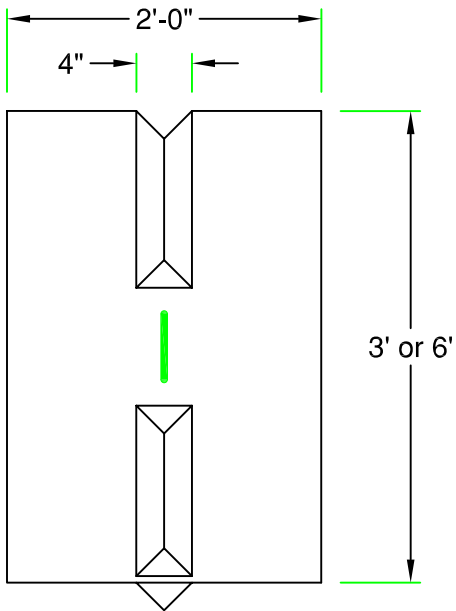
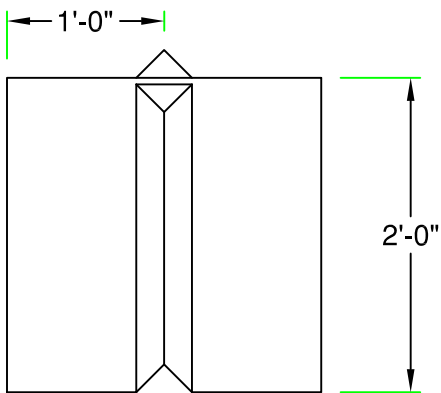
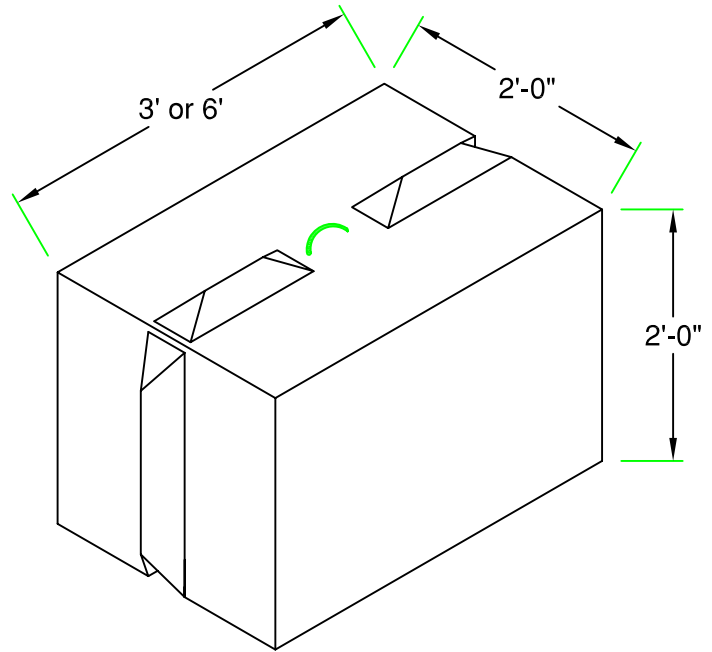


Waste Blocks

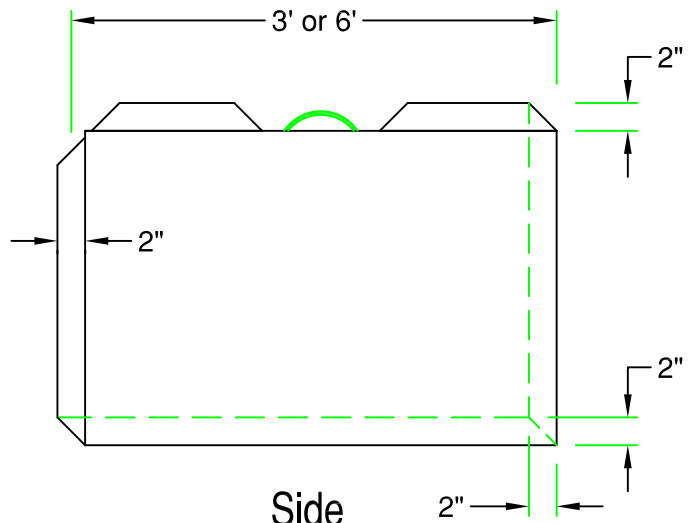
3 ft Weight : 2,000 lbs
6 ft Weight : 4,000 lbs



Plan



Front



Side

SPECIFICATIONS:

- Concrete Minimum Strength 5000psi @ 28 days
- Steel Reinforcement grade 60
- Weights Subject to Variation



PRECAST CONCRETE PRODUCTS
78 PRECAST ROAD MILTON, VT 05468 +802.893.2401
TOLL FREE 1.888.299.2401 FAX 802.893.1542