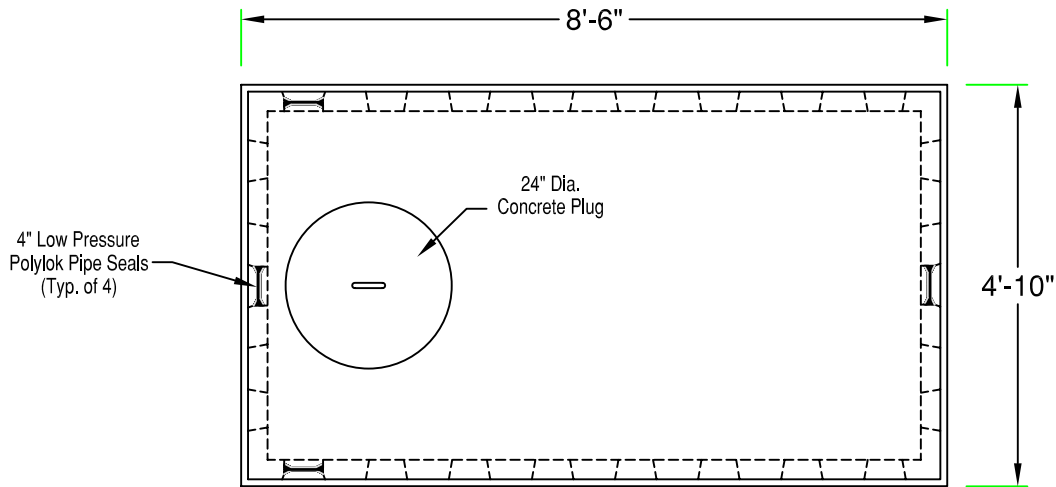


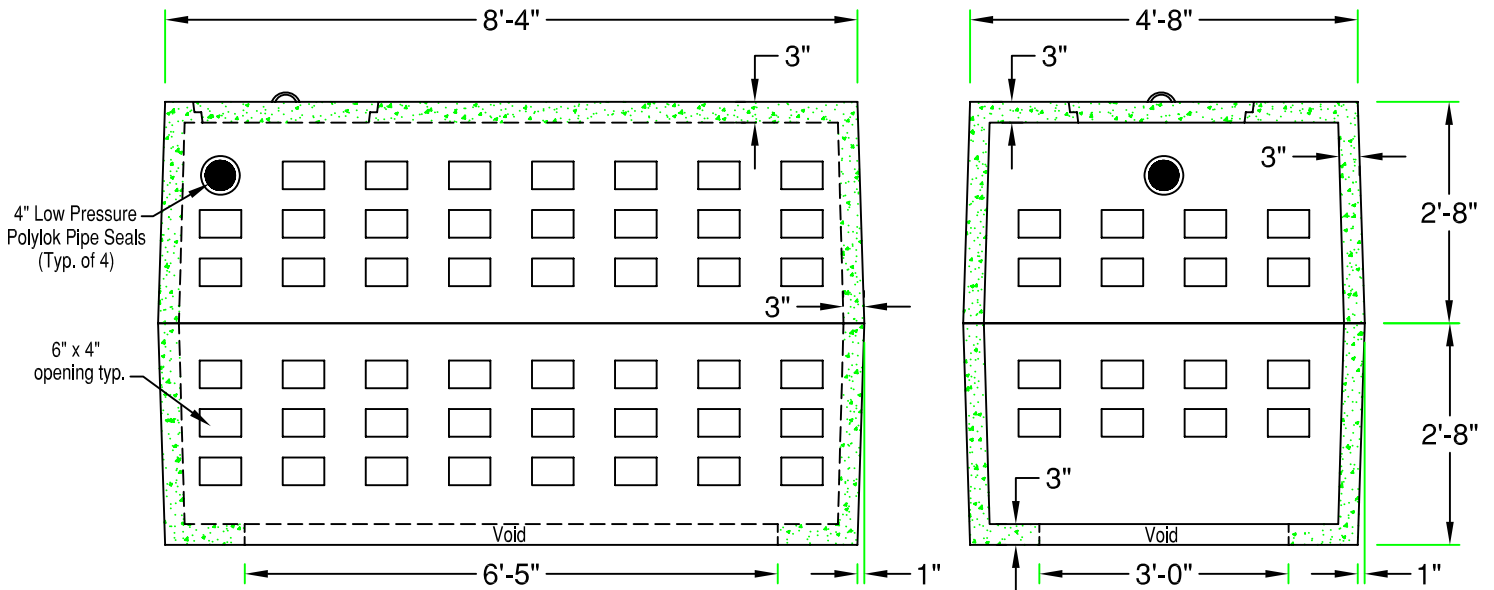
Precast Drywell (Light Duty)

1200 Gal. (DW1200LD)

Top Section : 3,500 lbs
Bottom Section : 3,000 lbs



Plan



Section

Section

SPECIFICATIONS:

- Concrete Minimum Strength 5000psi @ 28 days
- Steel Reinforcement Grade 60
- Weights Subject to Variation



PRECAST CONCRETE PRODUCTS
78 PRECAST ROAD MILTON, VT 05468 •802.893.2401
TOLL FREE 1.888.299.2401 FAX 802.893.1542