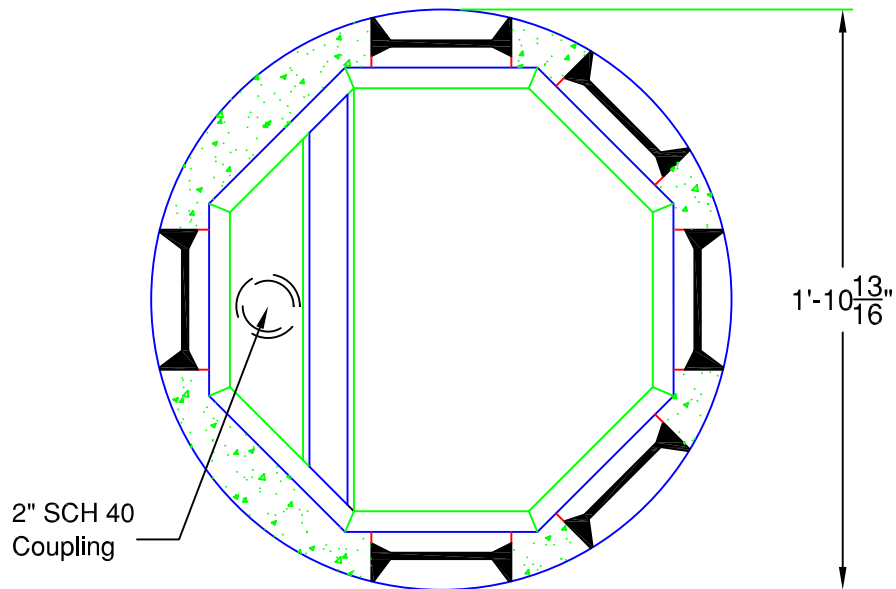


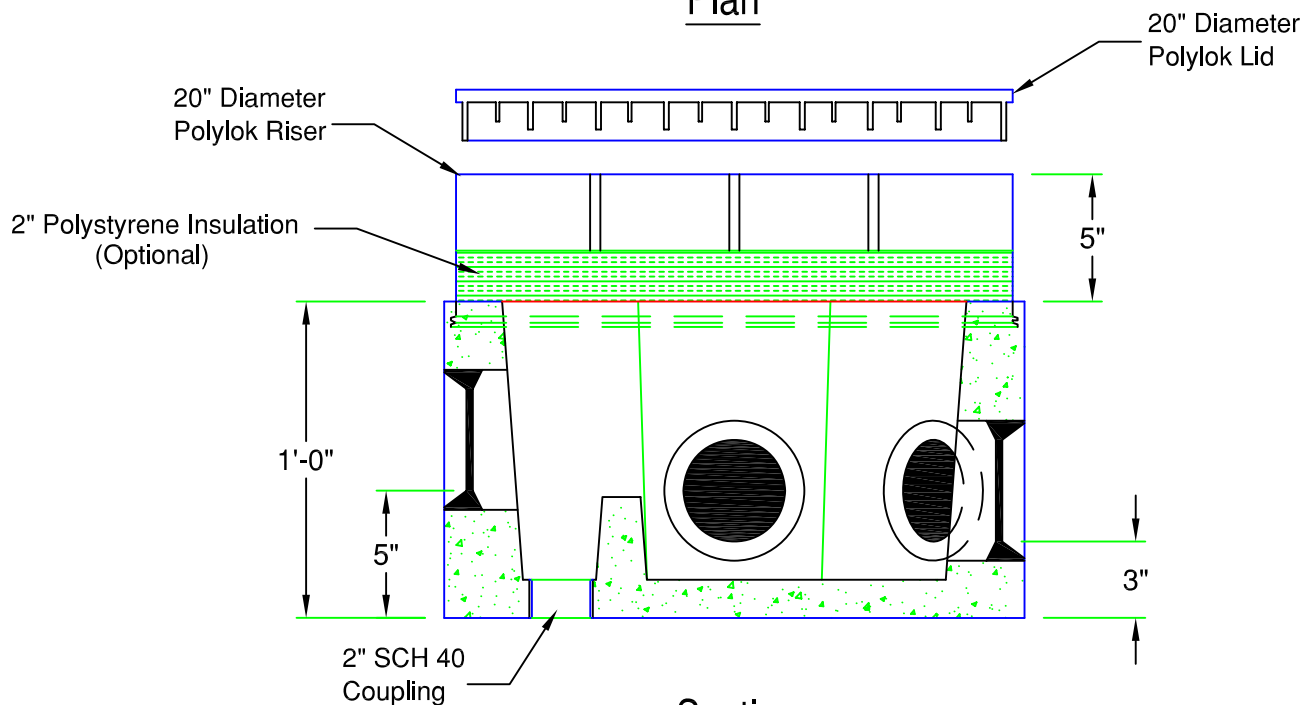
# 5-Outlet Pressure Distribution Box

## 5 Outlet - Round w/ 2" Forcemain Inlet (DB5RP)

Total Weight : 200 lbs



Plan



Section

### SPECIFICATIONS:

- Concrete Minimum Strength 5000psi @ 28 days
- Polylok Low Pressure Pipe Seal
- Polylok Risers Available in 6" Increments
- Weights Subject to Variation



**PRECAST CONCRETE PRODUCTS**  
 78 PRECAST ROAD MILTON, VT 05468 +802.893.2401  
 TOLL FREE 1.888.299.2401 FAX 802.893.1542