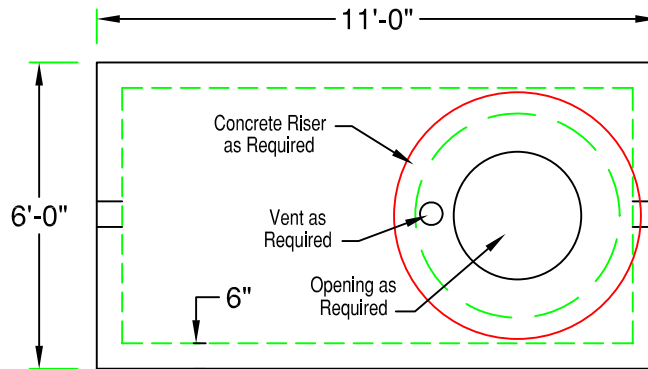


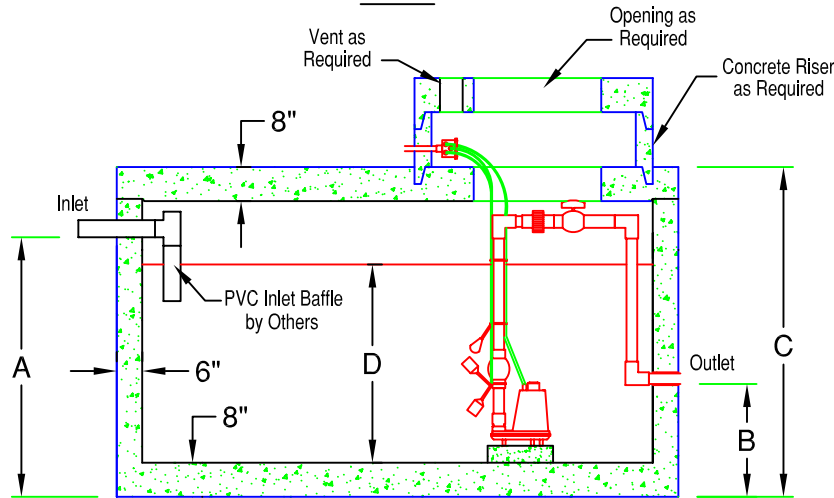
5' x 10' Heavy Duty (Pump Station)

1,000 - 3,500 Gallon (HD5-10)



Plan

Note:
Customized HD
Pump Stations
Available in
Different Sizes



Section

Model	Tank Capacity	Inlet (A)	Outlet (B)	Height (C)	Liquid (D)	Weight
* HD5-10-1000	1000 gallon	47"	As Required	64"	33"	22,770 lb
* HD5-10-1250	1250 gallon	52"	As Required	70"	41"	23,950 lb
* HD5-10-1500	1500 gallon	60"	As Required	76"	49"	25,140 lb
HD5-10-2000	2000 gallon	75"	As Required	94"	64"	28,690 lb
HD5-10-2500	2500 gallon	91"	As Required	112"	80"	32,250 lb
HD5-10-3000	3000 gallon	107"	As Required	124"	96"	34,610 lb
HD5-10-3500	3500 gallon	123"	As Required	140"	112"	37,710 lb

SPECIFICATIONS:

- Concrete Minimum Strength 5000psi @ 28 days
- Steel Reinforcement Grade 60
- Joints Sealed with Butyl Sealant
- Inlet Baffle by Others
- H2O Loading
- (*) Denotes Top Seam Construction
- Weights Subject to Variation



PRECAST CONCRETE PRODUCTS
78 PRECAST ROAD MILTON, VT 05468 •802.893.2401
TOLL FREE 1.888.299.2401 FAX 802.893.1542