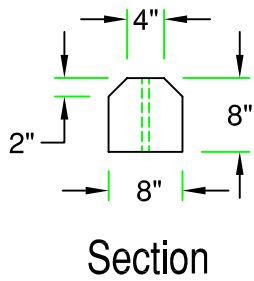
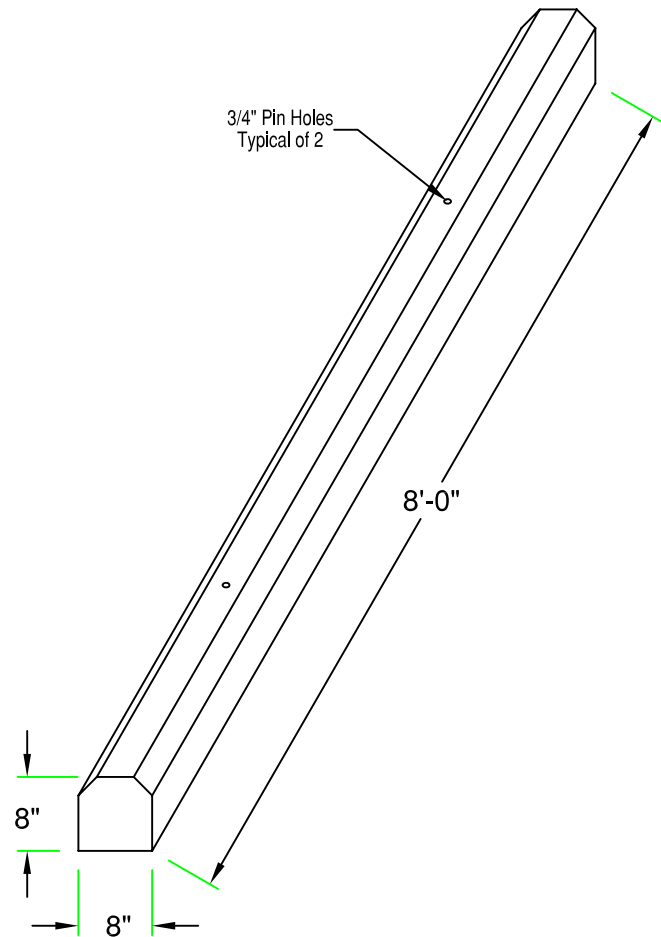
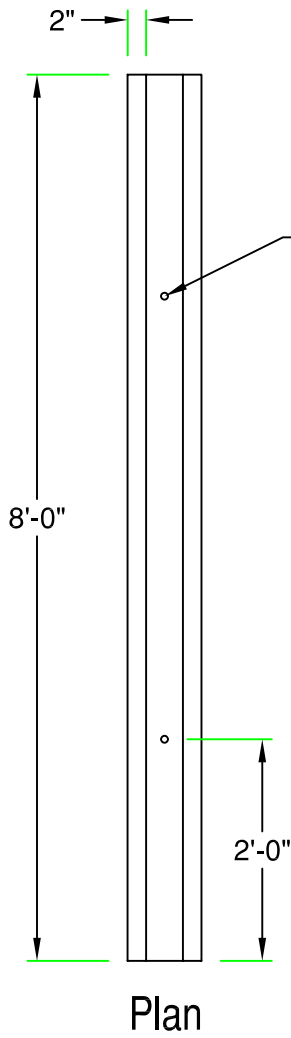


# Precast Parking Curb

## 8' Curb

Total Weight : 470 lbs



### SPECIFICATIONS:

- Concrete Minimum Strength 5000psi @ 28 days
- Steel Reinforcement Grade 60
- Weights Subject to Variation



PRECAST CONCRETE PRODUCTS  
78 PRECAST ROAD MILTON, VT 05468 +802.893.2401  
TOLL FREE 1.888.299.2401 FAX 802.893.1542