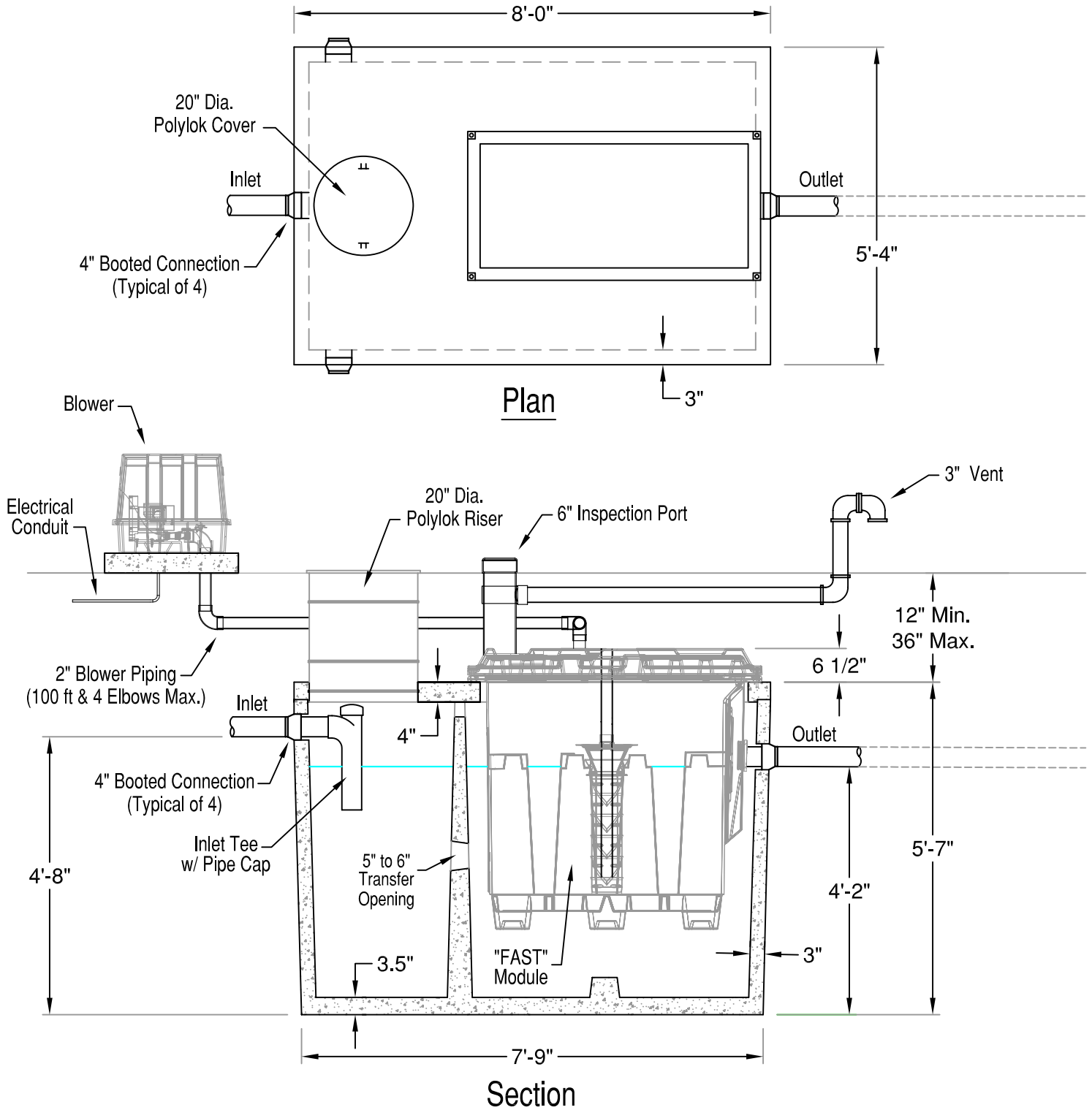


Camp Precast Concrete Products "MicroFAST 0.5L"



MicroFAST 0.5L SPECIFICATIONS:

MicroFast 0.5L package to be supplied by Camp Precast Concrete Products, Inc. (802-893-2401). Precast Concrete Tank to be "top seam" with integrally cast watertight booted pipe connections (pipe seals are not acceptable); tank shall have an integrally cast 20" diameter tank riser cast on inlet end of tank. Tank to be manufactured in an NPCA Certified Plant using 5000 psi concrete and for reasons of permeability and durability, concrete to have a water/cement ratio no greater than 0.43. Tank and tank lid to have proof of design testing done and on file at the manufacturers plant. Tank to be water tested with no visible leakage allowed.



PRECAST CONCRETE PRODUCTS
 78 PRECAST ROAD MILTON, VT 05468 •802.893.2401
 TOLL FREE 1.888.299.2401 FAX 802.893.1542