

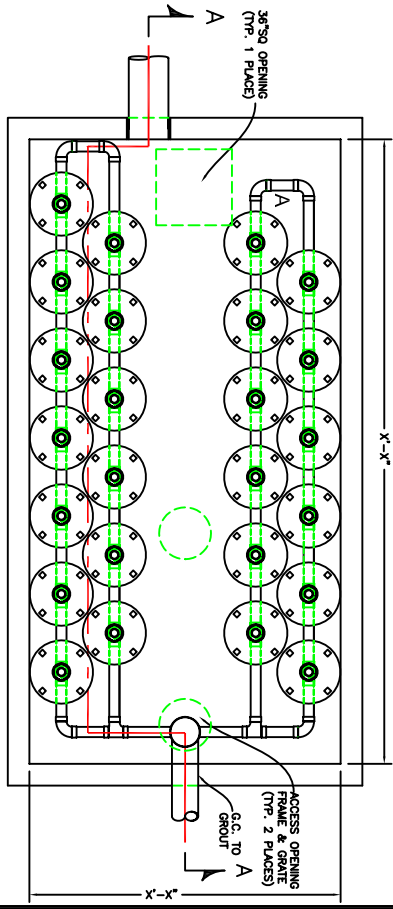
www.env21.com

PROJECT NAME	LOCATION NAME
OWNER NAME	SCALE N/A
ENGINEER NAME	DATE: 12-21-04
CONTRACTOR NAME	
ENV 21 ATTORNEY NAME	
PRODUCT DESCRIPTION	ENV21 PURISTORM STORMWATER TREATMENT SYSTEM



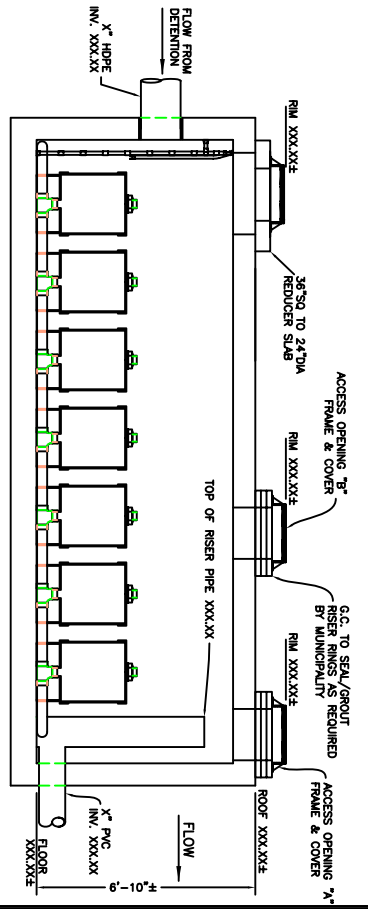
STRUCTURE NO.	XXX-X
PURISTORM MODEL NO.	XX XXX
Box width, ft.	XX
Box length, ft.	XX
Access opening diam., in.	24

SITE ENGINEER SPECIFICATIONS FOR DESIGN STORM HYDROLOGY	
Return Interval, yrs	XX
Intensity, in/hr	XX
Peak Runoff, cfs	XX +/-
Puristorm flow, cfs	XX +/-
A = area, acres	XX
% paved	XX
% roof	X
% vegetation	X



SITE-SPECIFIC SIZE, SHAPE, AND LOCATION OF FLOW CONTROL DEVICES TO ENVIRONMENT 21, LLC

PLAN REQUIRED FILTER QUANTITY AND VAULT SIZE DETERMINED BY ENVIRONMENT 21, LLC



NOTE: REFER TO KISTNER PRECAST DRAWING NO. CT-WTCT FOR JOINT LOCATION AND DETAIL.

GENERAL NOTES:
 MANHOLE DESIGN SPECIFICATIONS CONFORM TO LATEST A.S.T.M. C478 SPEC. FOR PRECAST REINFORCED CONCRETE MANHOLE SECTIONS.
 DESIGN LOADING: AASHTO HS20-44
 PROPRIETARY INFORMATION: PATENTS PENDING - ALL RIGHTS TO ENVIRONMENT 21, LLC.