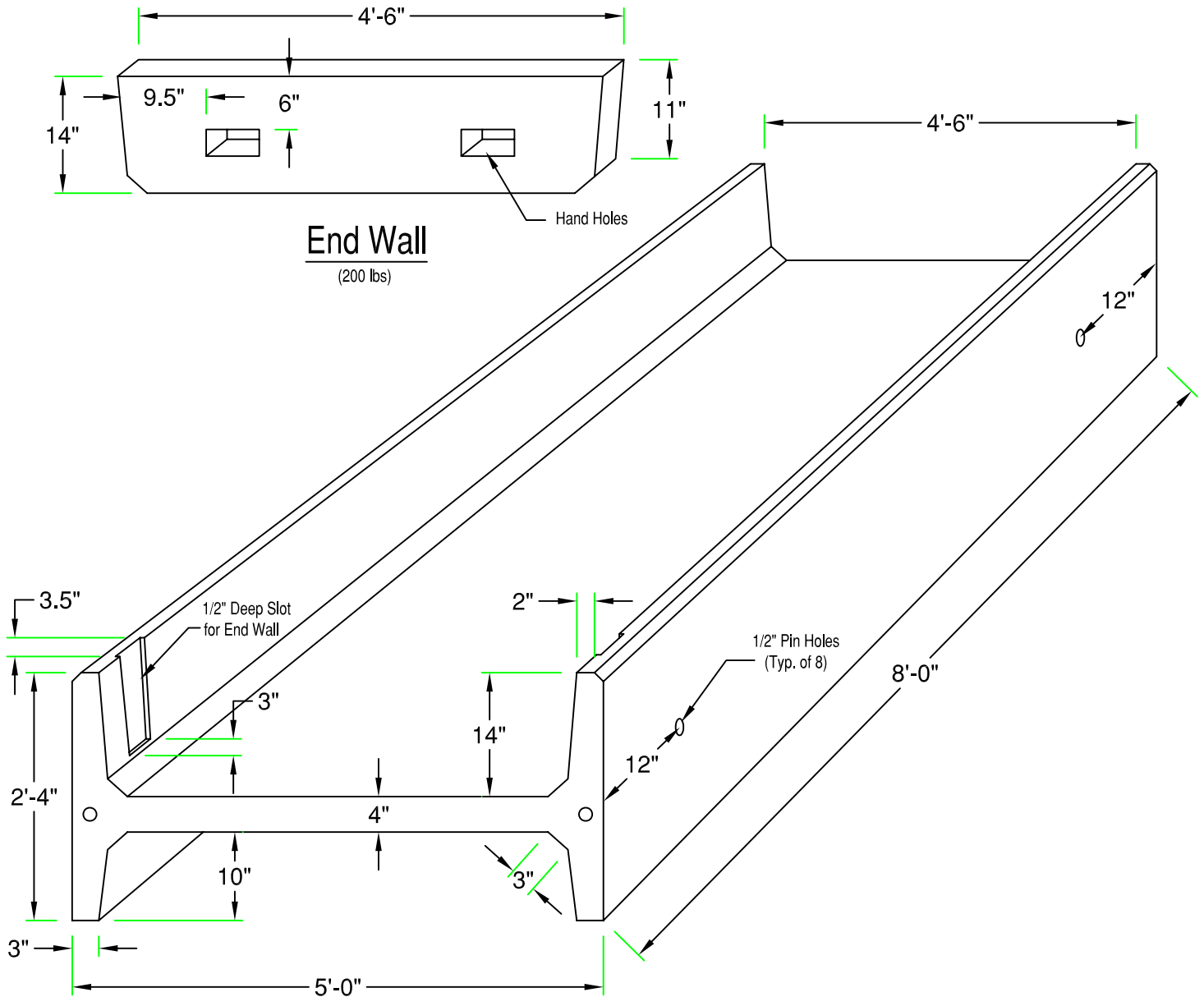


H-Style Bunk Silos

Weight : 3,400 lbs



SPECIFICATIONS:

- Concrete Minimum Strength 5000psi @ 28 days
- Steel Reinforcement Grade 60
- Weights Subject to Variation



PRECAST CONCRETE PRODUCTS

78 PRECAST ROAD MILTON, VT 05468 •802.893.2401
TOLL FREE 1.888.299.2401 FAX 802.893.1542