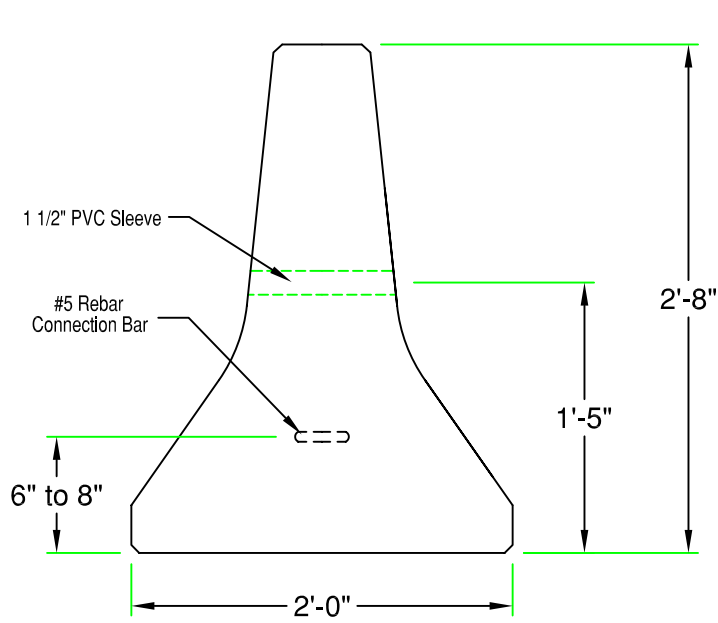
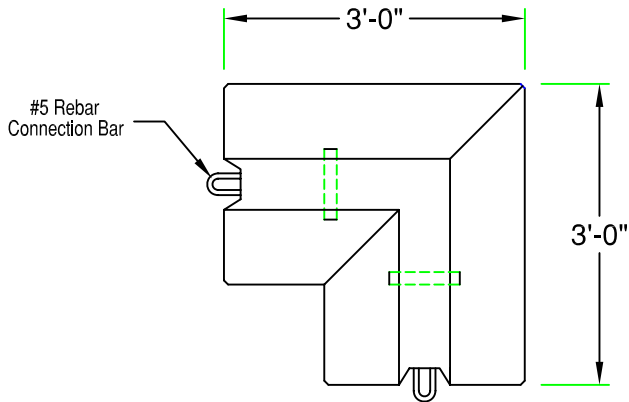


# Median / Safety Barrier

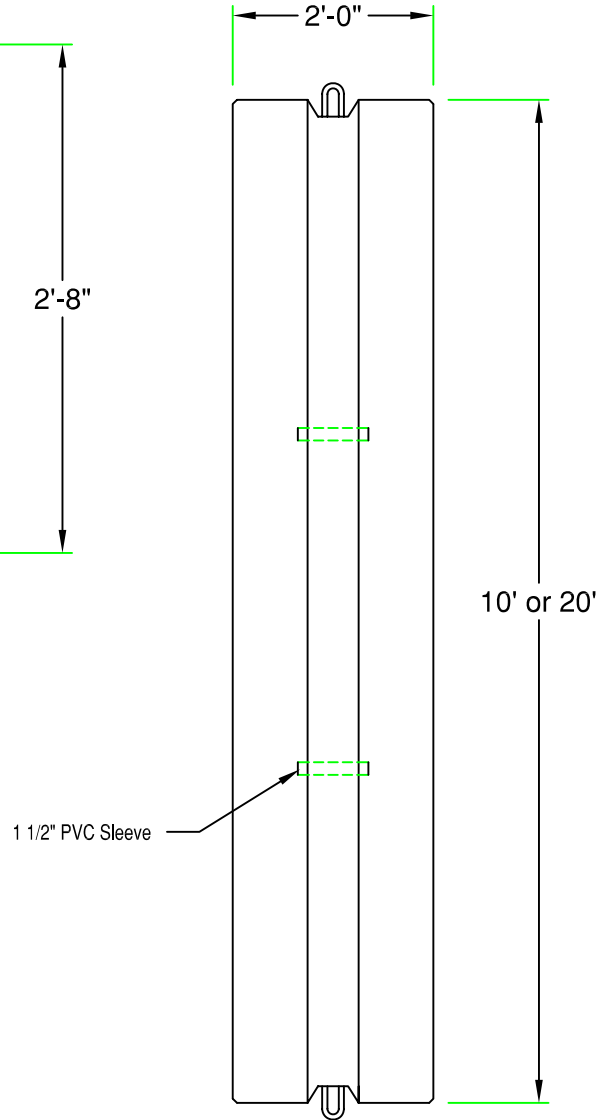


**SECTION**



**CORNER PLAN**

(2,000 lb)



**PLAN**

(4,000 lb & 8,000 lb)

**SPECIFICATIONS:**

- Concrete Minimum Strength 5000psi @ 28 days
- Steel Reinforcement Grade 60
- Fork Slots Available
- Weights Subject to Variation



**PRECAST CONCRETE PRODUCTS**

78 PRECAST ROAD MILTON, VT 05468 +802.893.2401  
TOLL FREE 1.888.299.2401 FAX 802.893.1542