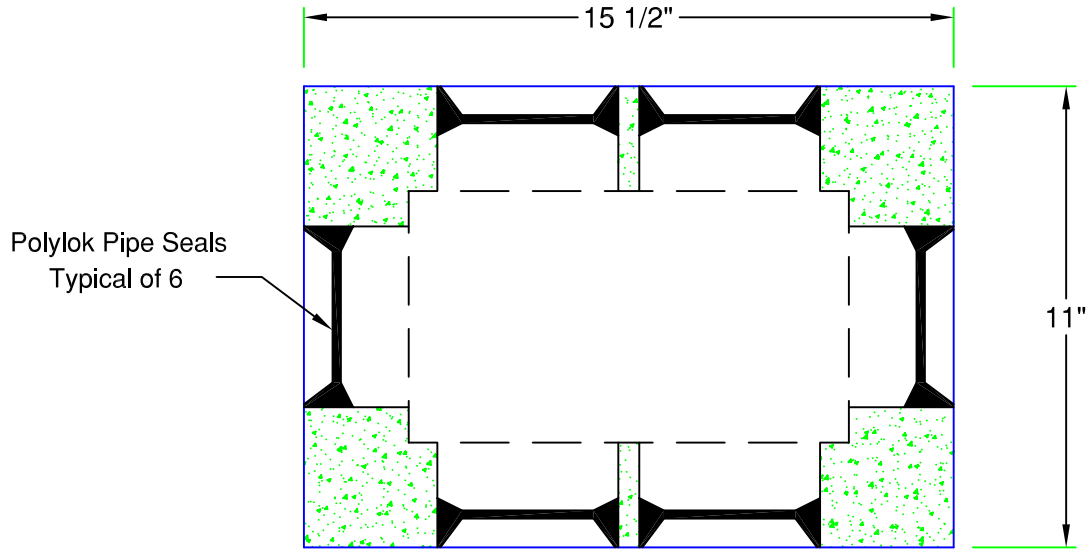


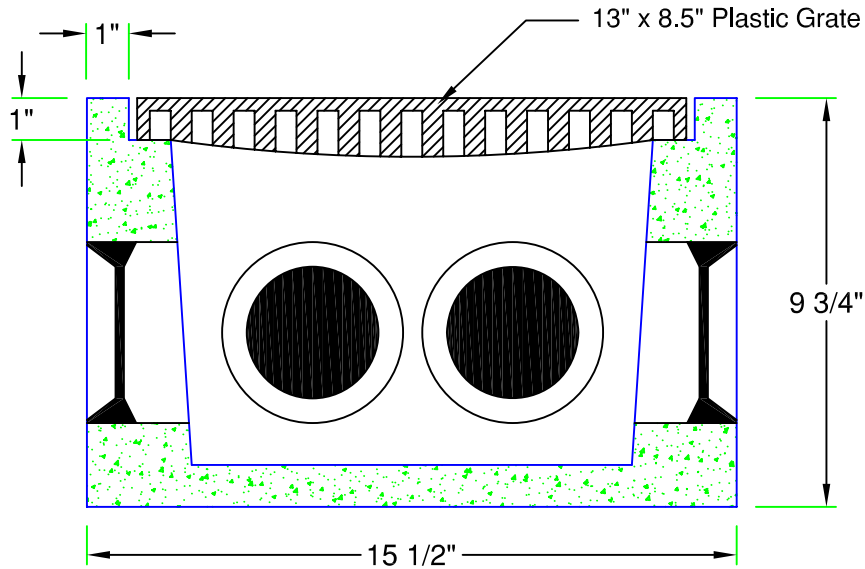
Rain Drain Box

6 Hole (DBRD)

Total Weight : 75 lbs



Plan



Section

SPECIFICATIONS:

- Concrete Minimum Strength 5000psi @ 28 days
- Polylok Low Pressure Pipe Seal
- Weights Subject to Variation



PRECAST CONCRETE PRODUCTS
78 PRECAST ROAD MILTON, VT 05468 +802.893.2401
TOLL FREE 1.888.299.2401 FAX 802.893.1542